

Specification Sheet LX 3045

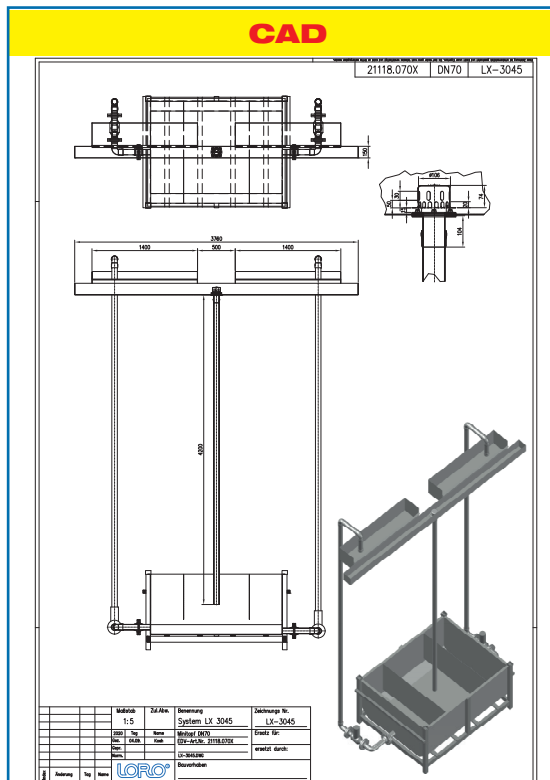
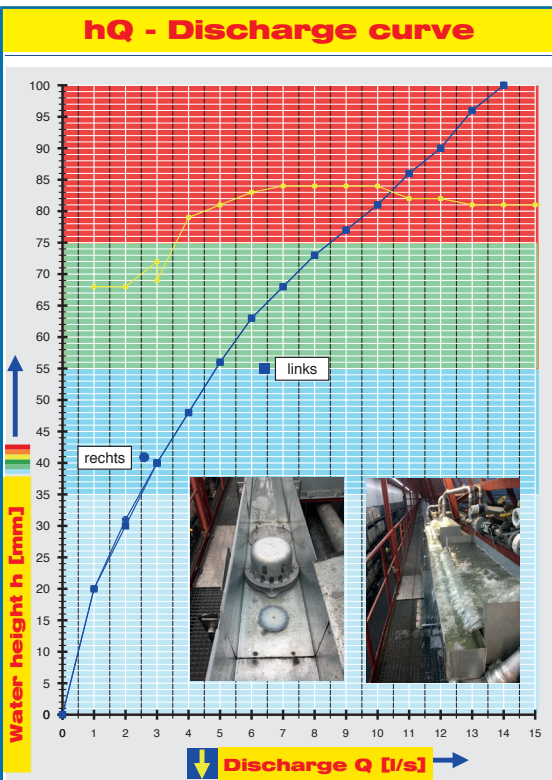
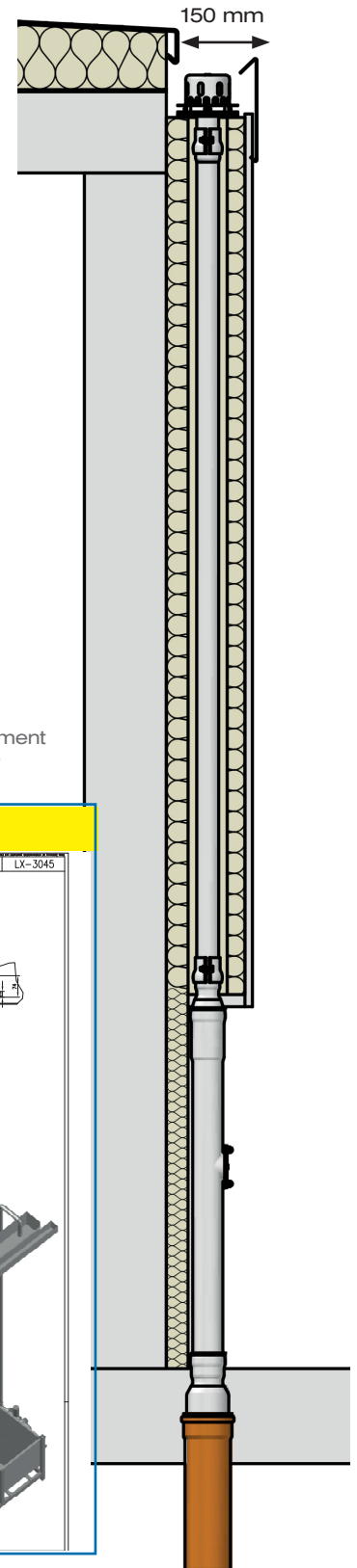
Roof Drainage Systems LORO-DRAINLET® Mini DN 70 in box gutter from 150 mm

Main drainage	
Gravity flow	
Silent	
Discharge rate:	2.5 l/s
Water height:	35 mm
Roof penetration:	-
Diameter:	DN 70
LX-Number:	LX 3045
Weir height:	0 mm
Drain:	ventilated
Downpipe:	not ventilated
Downpipe height:	4.2 m
Drainage:	in ground pipe
Flange:	clamping flange

LX 3045 Piece list

1 x Art.-No. 21118.070X, DRAINLET® Mini DN 70
 1 x Art.-No. 01401.070X, LORO-X Pipe with one socket
 1 x Art.-No. 01201.070X, LORO-X Pipe with one socket
 1 x Art.-No. 01004.070X, LORO-X Pipe with one socket

1 x Art.-No. 05510.070X, LORO-X Stand pipe
 3 x Art.-No. 00911.070X, LORO-X Sealing element
 1 x Art.-No. 00806.070X, LORO-X Anchor clip
 1 x Art.-No. 00986.000X, LORO-X Lubricant



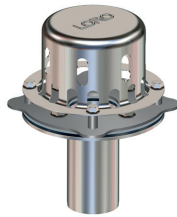
Water height	mm	20	25	30	35	40	45	50	55	60	65	70	75	80	85	90	95	100
Discharge	l/s	1,0	1,5	2,0	2,5	3,5	3,6	4,3	4,8	5,5	6,4	7,4	8,5	9,7	10,8	12,0	12,8	14,0
Silent Power																		

LORO-DRAINLET® Mini main drain, DN 70

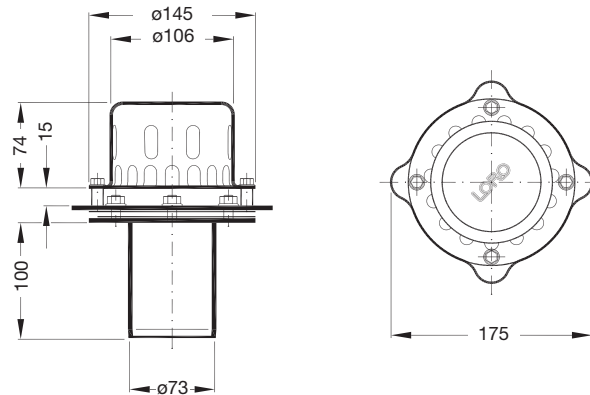
LORO-X DRAINLET® Mini

with clamping flange for
box gutter

Drain: Art.-No. 21118.070X



LX3045-5X



LORO-X pipe with one socket

made of galvanized steel, DN 70

250 mm long Art.-No. 01401.070X

1000 mm long Art.-No. 01201.070X

2500 mm long Art.-No. 01004.070X



LORO-X rain stand pipe

with cleaning opening

made of galvanized steel, DN 70

1000 mm long Art.-No. 05510.070X

weight: 3.1 kg



LORO-X anchor clip,

made of galvanized steel, DN 70

Art.-No. 00806.070X

weight: 0.5 kg



LORO-X sealing element

Art.-No. 00911.070X

weight: 0.2 kg

